

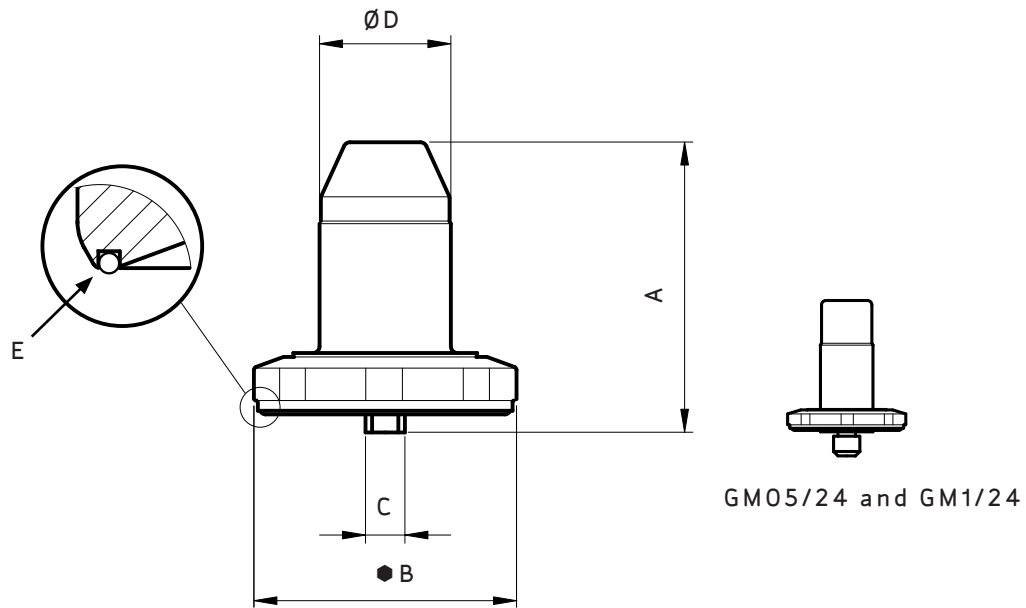
NovAseptic® MIXER, MALE BEARING, GMP

PRODUCT DESCRIPTION

The NovAseptic mixers offer a complete solution for mixing throughout the process line and are designed for a wide variety of mixing applications in the pharmaceutical and biotechnology industries.

Catalogue Numbers:

GM#/24



Catalogue Number Structure

GM / # / 24
 Mixer Size 12 and 120 Manually Polished
 12EP and 120EP Manually Polished and Electro Polished

Nominal Dimensions in mm (in.)

Catalogue Number	A	●B	C	D	O-Ring E	Compatible Mixer
GM05/24	35 (1.38)	26 (1.02)	M6	12 (0.47)	21.95x1.78 (0.864x0.070)	GMP50
GM05/24EP	35 (1.38)	26 (1.02)	M6	12 (0.47)	21.95x1.78 (0.864x0.070)	GMP50
GM1/24	35 (1.38)	26 (1.02)	M6	12 (0.47)	21.95x1.78 (0.864x0.070)	GMP100
GM1/24EP	35 (1.38)	26 (1.02)	M6	12 (0.47)	21.95x1.78 (0.864x0.070)	GMP100
GM510/24	45 (1.77)	39 (1.54)	M6	20 (0.79)	34.65x1.78 (1.364x0.070)	GMP500 & GMP1000
GM510/24EP	45 (1.77)	39 (1.54)	M6	20 (0.79)	34.65x1.78 (1.364x0.070)	GMP500 & GMP1000

Nominal Dimensions in mm (in.)

Catalogue Number	A	●B	C	D	O-Ring E	Compatible Mixer
GM20/24	48 (1.89)	39 (1.54)	M10	20 (0.79)	34.65x1.78 (1.364x0.070)	GMP2000
GM20/24EP	48 (1.89)	39 (1.54)	M10	20 (0.79)	34.65x1.78 (1.364x0.070)	GMP2000
GM50300/24	80 (3.15)	51.5 (2.03)	M12	30 (1.18)	47.35x1.78 (1.864x0.070)	GMP5000, GMP 10000, GMP 20000 & GMP 30000
GM50300/24EP	80 (3.15)	51.5 (2.03)	M12	30 (1.18)	47.35x1.78 (1.864x0.070)	GMP5000, GMP 10000, GMP 20000 & GMP 30000

Specifications

Net Weight (approximate)

Male Bearing	GM05/24	GM1/24	GM510/24	GM20/24	GM50300/24
Weight kg (lb)	0.03 (0.066)	0.03 (0.066)	0.1 (0.22)	0.1 (0.22)	0.3 (0.66)

Material

	Bar Stainless Steel in Compliance with		Male Bearing	O-Ring
Material Code	AISI 316L	EN 1.4435	Ceramic SiC (SsiC)	EPDM

O-Ring (included)

Male Bearing	GM05/24 & GM1/24	GM510/24 & GM20/24	GM50300/24
O- ring (EPDM)	GM051/220	GM520/220	GM100300/220

Spare Part (not included)

Male Bearing	GM05/24 & GM1/24	GM510/24 & GM20/24	GM50300/24
O- ring (Silicone)	GM051/221	GM520/221	GM100300/221
O- ring (PTFE coated Silicone)	GM051/221T	GM520/221T	GM100300/221T

Specifications

Additional Information	
Surface Roughness:	Surface Ra \leq 0.5 μ m (20 μ in) (Optional Ra \leq 0.25 μ m (10 μ in))
Surface Treatment:	Manually polished or Manually polished and Electro polished. No polishing compounds of animal origin used.
Operating Temperature*:	5 to 135 °C (41 to 275 °F)
pH Range:	1-14
Labeling:	Each Male Bearing is individually labeled for full traceability according to Millipore QA procedures.
Packaging:	The Male Bearing is packaged in a closed box.
Quality Control:	Millipore Quality Assurance system ensure the quality and traceability at all stages of the process. All EPDM O-rings are in compliance with FDA regulations §177.2600 and USP Biological Tests for Plastics, Class VI. Supplied with statement.
Options:	For non-standard NovAseptic Mixer Options, please contact Millipore for information.

**Note: The assembled NovAseptic Mixer may have different design temperature and/or pressure limits. The weakest part in the assembled product determines the maximum design temperature and pressure limits.*



www.millipore.com/offices

Millipore and NovAseptic are registered trademarks of Millipore Corporation.
Advancing Life Science Together and M logo are trademarks of Millipore Corporation.
Specifications subject to change without notice.
Lit. No. SP1170EN00 Rev. A 06/2008.
© 2008 Millipore Corporation. All rights reserved.

ADVANCING LIFE SCIENCE TOGETHER™
Research. Development. Production.