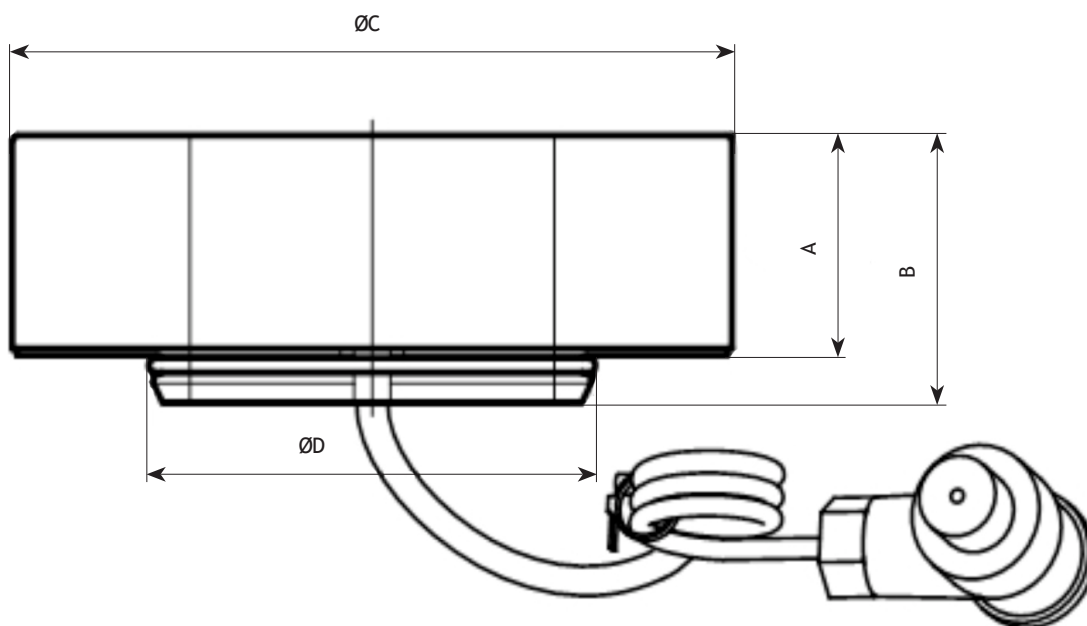


Specification Sheet

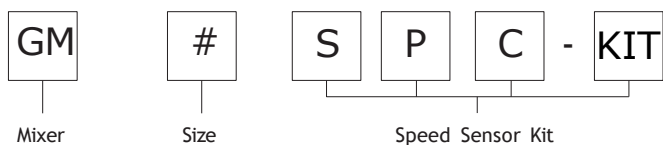
# NovAseptic® Mixer, Integrated Speed Sensor Kit, GMP

## Product Description

The NovAseptic mixers offer a complete solution for mixing throughout the process line and are designed for a wide variety of mixing applications in the pharmaceutical and biotechnology industries.



### Catalogue Number Structure



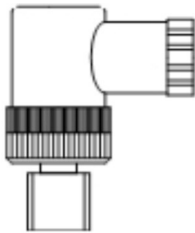

## Nominal Dimensions in mm (in.)

| Catalogue No.   | A           | B           | C            | D           | Compatible Mixer    |
|-----------------|-------------|-------------|--------------|-------------|---------------------|
| GM05SPC-KIT     | 22.0 (0.87) | 39.0 (1.54) | 27.5 (1.08)  | 54.0 (2.13) | GMP50               |
| GM05DCSPC-KIT   | 22.0 (0.87) | 30.0 (1.18) | 27.5 (1.08)  | 54.0 (2.13) | GMP50 DC            |
| GM15SPC-KIT     | 29.5 (1.16) | 32.5 (1.28) | 48.0 (1.89)  | 44.0 (1.73) | GMP100 & GMP500     |
| GM10SPC-KIT     | 21.2 (0.83) | 28.5 (1.12) | 56.0 (2.20)  | 47.0 (1.85) | GMP1000             |
| GM20SPC-KIT     | 23.2 (0.91) | 31.5 (1.24) | 79.0 (3.11)  | 48.0 (1.89) | GMP2000             |
| GM50SPC-KIT     | 21.5 (0.85) | 29.5 (1.16) | 98.0 (3.86)  | 48.0 (1.89) | GMP5000             |
| GM100SPC-KIT    | 21.5 (0.85) | 28.5 (1.12) | 79.0 (3.11)  | 50.0 (1.97) | GMP10000            |
| GM200300SPC-KIT | 34.0 (1.34) | 39.5 (1.57) | 103.0 (4.06) | 130 (5.12)  | GMP20000 & GMP30000 |

## Specifications

| Net Weight (approximate) |              |                |              |              |              |              |               |                  |
|--------------------------|--------------|----------------|--------------|--------------|--------------|--------------|---------------|------------------|
| Mixer Assembly           | GM05 SPC-KIT | GM05 DCSPC-KIT | GM15 SPC-KIT | GM10 SPC-KIT | GM20 SPC-KIT | GM50 SPC-KIT | GM100 SPC-KIT | GM200300 SPC-KIT |
| Weight Kg (lb)           | 0.2 (0.44)   | 0.2 (0.44)     | 0.2 (0.44)   | 0.3 (0.66)   | 0.2 (0.44)   | 0.2 (0.44)   | 0.2 (0.44)    | 0.6 (1.3)        |

| Materials     |       |
|---------------|-------|
| Cover         |       |
| Material Code | POM C |

| Socket Series 713 M12x1 Connection   |   |  |   |
|--|---|--|---|
| Male Socket  | LED indication on socket                |  |  |
| <p>4: Signal</p> <p>1: (+)      3: (-)</p>  | Location                                | Top of the socket.   |   |
|  | Green Light                             | Indicates that the sensor is powered correctly.                      |   |
|  | Yellow Light                            | Indicates one pulse. (number of pulses per rotation, is shown below) |   |
| Type   | Hall effect switch, PNP closing circuit |  |   |
| Voltage  | 8 - 30V DC                              |  |   |
| Current Rating   | 200mA                                   |  |   |
| Cable Length   | 400mm                                   |  |   |
| Protection Class   | IP 65                                   |  |   |

| Pulses (based on standard mixers) |    |
|-----------------------------------|----|
| Pulses per rotation               |    |
| GMP50                             | 3  |
| GMP50 DC                          | 3  |
| GMP100                            | 3  |
| GMP500                            | 4  |
| GMP1000                           | 5  |
| GMP2000                           | 6  |
| GMP5000                           | 8  |
| GMP10000                          | 6  |
| GMP20000                          | 12 |
| GMP30000                          | 12 |

## Specifications

| Kit Contents          |                 |                   |                 |                 |                 |                 |                  |                     |
|-----------------------|-----------------|-------------------|-----------------|-----------------|-----------------|-----------------|------------------|---------------------|
|                       | GM05<br>SPC-KIT | GM05<br>DCSPC-KIT | GM15<br>SPC-KIT | GM10<br>SPC-KIT | GM20<br>SPC-KIT | GM50<br>SPC-KIT | GM100<br>SPC-KIT | GM200300<br>SPC-KIT |
| Speed Counter         | •               | •                 | •               | •               | •               | •               | •                | •                   |
| Washer                | •               | •                 |                 |                 |                 |                 |                  |                     |
| Socket Console        | •               | •                 | •               | •               | •               | •               | •                | •                   |
| Cable -10 M<br>Length | •               | •                 | •               | •               | •               | •               | •                | •                   |
| Strap 2x              | •               | •                 | •               | •               | •               | •               | •                | •                   |
| Screw                 | •               | •                 | •               | •               |                 |                 |                  | •                   |

| Additional Information       |  |
|------------------------------|--|
| Environment Temperature*     | 0 to 85 °C (32 to 185 °F)  |
| Quality Control              | Millipore Quality Assurance system ensure the quality and traceability at all stages of the process.                               |
| Pulse Converter Requirements | In case of an application requiring a pulse signal converter use Pepperl & Fuchs type KFU8-UFC-1.D or with equal signal converter. |

\*Note: The assembled NovAseptic Mixer may have different design temperature and/or pressure limits. The weakest part in the assembled product determines the allowable design temperature and pressure limits.

## Technical Assistance

For more information, please visit [SigmaAldrich.com](https://www.SigmaAldrich.com) for up-to-date worldwide contact information

