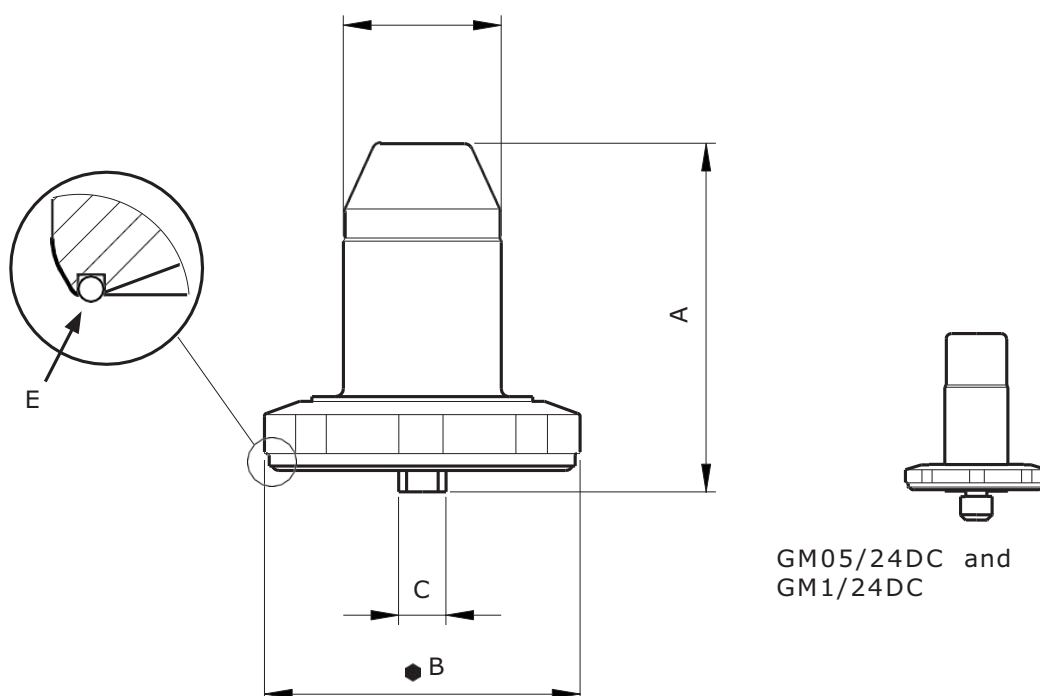


Specification Sheet

NovAseptic® Mixer, Male Bearing GMP (UNCD® Coated)

Product Description

The NovAseptic mixers offer a complete solution for mixing throughout the process line and are designed for a wide variety of mixing applications in the pharmaceutical and biotechnology industries.



GM05/24DC and
GM1/24DC

Catalogue Number Structure

GM

#

/

24

DC

Size

Bearing Type

Nominal Dimensions in mm (in.)

Catalogue No.	A	B	C	D	O-ring E	Compatible Mixer
GM05/24DC	35 (1.38)	26 (1.02)	M6	12 (0.47)	21.95 x 1.78 (0.864 x 0.070)	GMP50
GM05/24EPDC	35 (1.38)	26 (1.02)	M6	12 (0.47)	21.95 x 1.78 (0.864 x 0.070)	GMP50
GM1/24DC	35 (1.38)	26 (1.02)	M6	12 (0.47)	21.95 x 1.78 (0.864 x 0.070)	GMP100
GM1/24EPDC	35 (1.38)	26 (1.02)	M6	12 (0.47)	21.95 x 1.78 (0.864 x 0.070)	GMP100
GM510/24DC	45 (1.77)	39 (1.54)	M6	20 (0.79)	34.65 x 1.78 (1.364 x 0.070)	GMP500 & GMP1000
GM510/24EPDC	45 (1.77)	39 (1.54)	M6	20 (0.79)	34.65 x 1.78 (1.364 x 0.070)	GMP500 & GMP1000
GM20/24DC	48 (1.89)	39 (1.54)	M10	20 (0.79)	34.65 x 1.78 (1.364 x 0.070)	GMP2000
GM20/24EPDC	48 (1.89)	39 (1.54)	M10	20 (0.79)	34.65 x 1.78 (1.364 x 0.070)	GMP2000
GM50300/24DC	80 (3.15)	51.5 (2.03)	M12	30 (1.18)	47.35 x 1.78 (1.864 x 0.070)	GMP5000, GMP 10000, GMP 20000, GMP 30000
GM50300/24EPDC	80 (3.15)	51.5 (2.03)	M12	30 (1.18)	47.35 x 1.78 (1.864 x 0.070)	GMP5000, GMP 10000, GMP 20000, GMP 30000

Specifications

Net Weight (approximate)					
Male Bearing	GM05/24DC	GM1/24DC	GM510/24DC	GM20/24DC	GM50300/24DC
Weight Kg (lb)	0.03 (0.066)	0.03 (0.066)	0.1 (0.22)	0.1 (0.22)	0.3 (0.66)

Materials			
	Bar	Male Bearing	O-ring
	Stainless steel in compliance with		
Material Code	AISI 316L	EN 1.4435	Self Sintered Ceramic SiC (SsiC)
			EPDM

Spare part			
Male Bearing	GM05/24DC, GM1/24DC	GM510/24DC, GM20/24DC	GM50300/24DC
O- Ring (EPDM)	GM051/220	GM520/220	GM100300/220

Spare Part (alternative O-ring material)			
Male Bearing	GM05/24DC, GM1/24DC	GM510/24DC, GM20/24DC	GM50300/24DC
O-Ring (Silicone)	GM051/221	GM520/221	GM100300/221
O- Ring (PTFEcoated Silicone)	GM051/221T	GM520/221T	GM100300/221T

Additional Information	
Surface Roughness	Surface Ra ≤ 0.38 μm (15 μin)
Surface Treatment	Manually polished alone or with Electro polish. No polishing compounds of animal origin used. UNCD coated.
Operating Temperature*	5 to 135 °C (41 to 275 °F)
pH Range	1–14
Labeling	Each Male Bearing is individually labeled for full traceability according to our QA procedures.
Packaging	The Male Bearing is packaged in a closed box
Regulatory	All O-rings are in compliance with FDA regulations §177.2600 and USP Biological Tests for Plastics, Class VI. Supplied with statement
Options	For non-standard NovAseptic Mixer Options, please contact your local sales representative for information.

*Note: The assembled NovAseptic Mixer may have different design temperature and/or pressure limits. The weakest part in the assembled product determines the allowable design temperature and pressure limits.

Technical Assistance

For more information, please visit [SigmaAldrich.com](https://www.SigmaAldrich.com) for up-to-date worldwide contact information

