

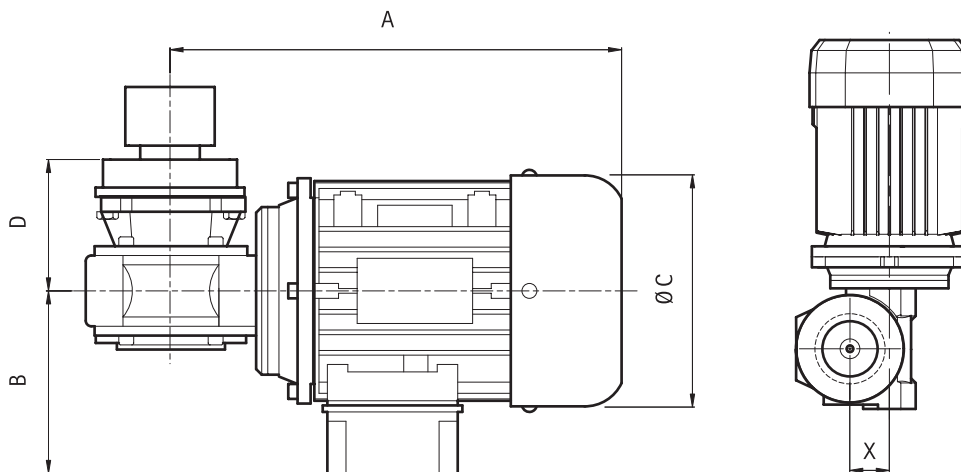
Specification Sheet

NovAseptic® Mixer, Drive Unit, GMP*

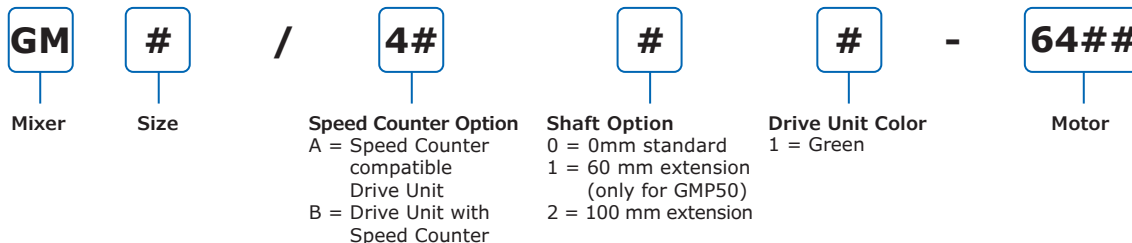
* General Mixing Purpose

Product Description

The NovAseptic® mixers offer a complete solution for mixing throughout the process line and are designed for a wide variety of mixing applications in the pharmaceutical and biotechnology industries.



Catalogue No. Structure



Nominal Dimensions in mm (in.)

Catalogue No.	A	B	C	D	X	Mixer Model
GM05/4A01-6410	279	116	123	97	31	GMP50
GM05/4A11-6410	279	116	123	140	31	GMP50
GM05/4B01-6410	279	116	123	97	31	GMP50
GM05/4B11-6410	279	116	123	140	31	GMP50
GM1/4A01-6410	279	116	123	85	31	GMP100
GM1/4A21-6410	279	116	123	170	31	GMP100
GM1/4B01-6410	279	116	123	85	31	GMP100
GM1/4B21-6410	279	116	123	170	31	GMP100
GM5/4A01-6420	301	124	138	85	31	GMP500
GM5/4A21-6420	301	124	138	170	31	GMP500
GM5/4B01-6420	301	124	138	85	31	GMP500
GM5/4B21-6420	301	124	138	170	31	GMP500
GM10/4A01-6420	301	124	138	90	31	GMP1000
GM10/4A21-6420	301	124	138	170	31	GMP1000
GM10/4B01-6420	301	124	138	90	31	GMP1000
GM10/4B21-6420	301	124	138	170	31	GMP1000
GM20/4A01-6430	337	142	156	100	40	GMP2000
GM20/4A21-6430	337	142	156	191	40	GMP2000
GM20/4B01-6430	337	142	156	100	40	GMP2000
GM20/4B21-6430	337	142	156	191	40	GMP2000
GM50/4A01-6440	391	147	176	104	40	GMP5000
GM50/4A21-6440	391	147	176	195	40	GMP5000
GM50/4B01-6440	391	147	176	104	40	GMP5000
GM50/4B21-6440	391	147	176	195	40	GMP5000
GM100/4A01-6450	393	147	176	121	50	GMP10000
GM100/4A21-6450	393	147	176	212	50	GMP10000
GM100/4B01-6450	393	147	176	121	50	GMP10000
GM100/4B21-6450	393	147	176	212	50	GMP10000
GM200/4A01-6465	456	170	194	125	75	GMP20000
GM200/4A21-6465	456	170	194	218	75	GMP20000
GM200/4B01-6465	456	170	194	125	75	GMP20000
GM200/4B21-6465	456	170	194	218	75	GMP20000
GM300/4A01-6465	456	170	194	125	75	GMP30000
GM300/4A21-6465	456	170	194	218	75	GMP30000
GM300/4B01-6465	456	170	194	125	75	GMP30000
GM300/4B21-6465	456	170	194	218	75	GMP30000

Specifications

Net Weight (approximate)									
Mixer Assembly	GMP50	GMP100	GMP500	GMP1000	GMP2000	GMP5000	GMP10000	GMP20000	GMP30000
Weight kg (lb)	8 (17.6)	8 (17.6)	11 (24.3)	11 (24.3)	15.2 (33.5)	19 (41.9)	22.4 (48.5)	45 (100.0)	47 (103.0)

General Motor Data									
Voltage	230/400 VAC—50 Hz and 265/460 VAC—60 Hz								
Number of Poles	2	2	2	2	2	2	2	4	4
Degree of Protection	IP 55								
Insulating Class	F (Maximum winding temperature is 155 °C)								
Ventilation	Standard IC 411								
Color	Green, complies with CFR 21 in the United States, 170–199.								
Oil	Synthetic, complies with CFR 21 in the United States								
Marks of Conformity	CE/CSA/UL								
Thermistor	PTC, 3 x 155 °C								

Drive Unit Specifications (motor and frame)							
	Brand	Max Power		Max Current (A)		Frame (IEC)	
		kW (at 50 Hz)	hp (at 60 Hz)	230/400 VAC	265/460 VAC		
GMP50	Nord™ 63LP/2 CUS TF IE3	0.25	0.33	0.98/0.57	0.86/0.50	63/B14	
GMP100	Nord™ 63LP/2 CUS TF IE3	0.25	0.33	0.98/0.57	0.86/0.50	63/B14	
GMP500	Nord™ 71LP/2 CUS TF IE3	0.55	0.75	2.11/1.22	1.87/1.08	71/B14	
GMP1000	Nord™ 71LP/2 CUS TF IE3	0.55	0.75	2.11/1.22	1.87/1.08	71/B14	
GMP2000	Nord™ 80SP/2 CUS TF IE3	0.75	1.00	2.72/1.57	2.42/1.40	80/B14	
GMP5000	Nord™ 90RP/2 CUS TF IE3	1.10	1.50	3.71/2.14	3.22/1.86	90/B14	
GMP10000	Nord™ 90LP/2 CUS TF IE3	2.2	3.00	7.93/4.58	6.93/4.00	90/B14	
GMP20000	Nord™ 100AP/4 CUS TF IE3	3.00	4.00	10.50/6.06	8.82/5.09	100/B14	
GMP30000	Nord™ 100AP/4 CUS TF IE3	3.00	4.00	10.50/6.06	8.82/5.09	100/B14	

Drive Unit Specifications (gearbox and complete drive unit)				
Mixer Size	Type Nord	Gear Box Ratio (i)	Outer Driving Head Torque (Nm)	Design Speed (rpm)*
GMP50	SK1SI31	7.5	1	50–490
GMP100	SK1SI31	7.5	2	50–490
GMP500	SK1SI31	7.5	6	50–490
GMP1000	SK1SI31	7.5	8	50–490
GMP2000	SK1SI40	7.5	13	50–490
GMP5000	SK1SI40	7.5	26	50–490
GMP10000	SK1SI50	7.5	35	50–450
GMP20000	SK1SI75	5	60	35–335
GMP30000	SK1SI75	7.5	150	25–245

Additional Information	
Environment Temperature**	0 to 40 °C (32 to 104 °F)
Operating Speed	Maximum operating speed has to be validated for each process individually, depending on volume, viscosity etc. A variable frequency drive (VFD) must be used with all NovAseptic® mixers.
Labeling	Each drive unit is individually labelled for full traceability according to our QA procedures.
Packaging	The drive unit is packaged in a closed box.
Quality Control	Our quality assurance system guarantees the control and traceability at all stages of the manufacturing.
Options	For non-standard NovAseptic® mixer options, please contact your local sales representative for information.

*Note: Design Speed is the mechanical limit.

** Note: The assembled NovAseptic® mixer may have different design temperature and/or pressure limits. The weakest part in the assembled product sets the final permitted design temperature and pressure limits.

Technical Assistance

For more information, please visit SigmaAldrich.com
for up-to-date worldwide contact information

