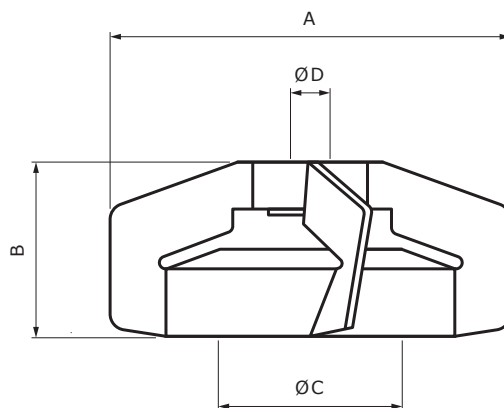


Specification Sheet

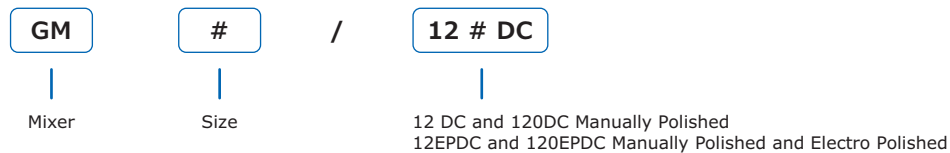
NovAseptic® Mixer, Mixing Head, GMP (UNCD® Coated)

Product Description

NovAseptic® mixers offer a complete solution for mixing throughout the process line and are designed for a wide variety of mixing applications in the pharmaceutical and biotechnology industries.



Catalogue Number Structure



Nominal Dimensions in mm (in.)

| Catalogue No. | A | B | C | D | Compatible Mixer |
|---------------|-------------|------------|------------|-----------|------------------|
| GM05/12DC | 96 (3.78) | 52 (2.05) | 34 (1.34) | 12 (0.47) | GMP50 |
| GM05/12EPDC | 96 (3.78) | 52 (2.05) | 34 (1.34) | 12 (0.47) | GMP50 |
| GM1/12DC | 120 (4.72) | 53 (2.09) | 56 (2.20) | 12 (0.47) | GMP100 |
| GM1/12EPDC | 120 (4.72) | 53 (2.09) | 56 (2.20) | 12 (0.47) | GMP100 |
| GM5/120DC | 142 (5.59) | 71 (2.80) | 56 (2.20) | 20 (0.79) | GMP500 |
| GM5/120EPDC | 142 (5.59) | 71 (2.80) | 56 (2.20) | 20 (0.79) | GMP500 |
| GM10/120DC | 160 (6.30) | 71 (2.80) | 64 (2.52) | 20 (0.79) | GMP1000 |
| GM10/120EPDC | 160 (6.30) | 71 (2.80) | 64 (2.52) | 20 (0.79) | GMP1000 |
| GM20/12DC | 184 (7.24) | 73 (2.87) | 87 (3.43) | 20 (0.79) | GMP2000 |
| GM20/12EPDC | 184 (7.24) | 73 (2.87) | 87 (3.43) | 20 (0.79) | GMP2000 |
| GM50/12DC | 192 (7.56) | 115 (4.53) | 106 (4.17) | 30 (1.18) | GMP5000 |
| GM50/12EPDC | 192 (7.56) | 115 (4.53) | 106 (4.17) | 30 (1.18) | GMP5000 |
| GM100/12DC | 220 (8.66) | 150 (5.91) | 87 (3.43) | 30 (1.18) | GMP10000 |
| GM100/12EPDC | 220 (8.66) | 150 (5.91) | 87 (3.43) | 30 (1.18) | GMP10000 |
| GM200/12EPDC | 273 (10.75) | 130 (5.12) | 170 (6.69) | 30 (1.18) | GMP20000 |
| GM300/12EPDC | 365 (14.37) | 155 (6.10) | 169 (6.65) | 30 (1.18) | GMP30000 |

Specifications

| Net Weight (approximate) | | | | | |
|--------------------------|------------|-------------|--------------|--------------|------------|
| Mixing Head | GM05/12#DC | GM1/12#DC | GM5/120#DC | GM10/120#DC | GM20/12#DC |
| Weight kg (lb) | 0.5 (1.1) | 0.9 (2.0) | 1.3 (2.87) | 1.7 (3.75) | 1.8 (3.97) |
| Mixing Head | GM50/12#DC | GM100/12#DC | GM200/12EPDC | GM300/12EPDC | |
| Weight kg (lb) | 3.4 (7.50) | 5.1 (11.2) | 6.7 (14.8) | 9.7 (21.4) | |

| Material | | | | | |
|---------------|------------------------------------|-----------|------------------------------------|-----------|--------------------|
| | Bar | | Plate | | Female Bearing |
| | Stainless steel in compliance with | | Stainless steel in compliance with | | UNCD coated |
| Material Code | 316L | EN 1.4435 | 316L | EN 1.4435 | Ceramic Sic (SsiC) |

| Specifications | |
|------------------------|--|
| Surface Roughness | Surface Ra ≤ 0.38 μm (15 μin) |
| Surface Treatment* | Manually polished / Manually polished and Electro polished. No polishing compounds of animal origin used. UNCD coated. |
| Operating Temperature* | 5 to 135 °C (41 to 275 °F) |
| pH Range | 1-14 |
| Labeling | Each male bearing is individually labeled for full traceability according to QA procedures. |
| Packaging | The male bearing is packaged in a closed box. |
| Quality Control | Our Quality Assurance system ensure the quality and traceability at all stages of the process. |
| Options | For non-standard NovAseptic® mixer options, please contact your local sales representative for additional information. |

* Note: The assembled NovAseptic® Mixer may have different design temperature and/or pressure limits. The weakest part in the assembled product determines the maximum design temperature and pressure limits.

Technical Assistance

For more information, please visit [SigmaAldrich.com](https://www.SigmaAldrich.com) for up-to-date worldwide contact information

