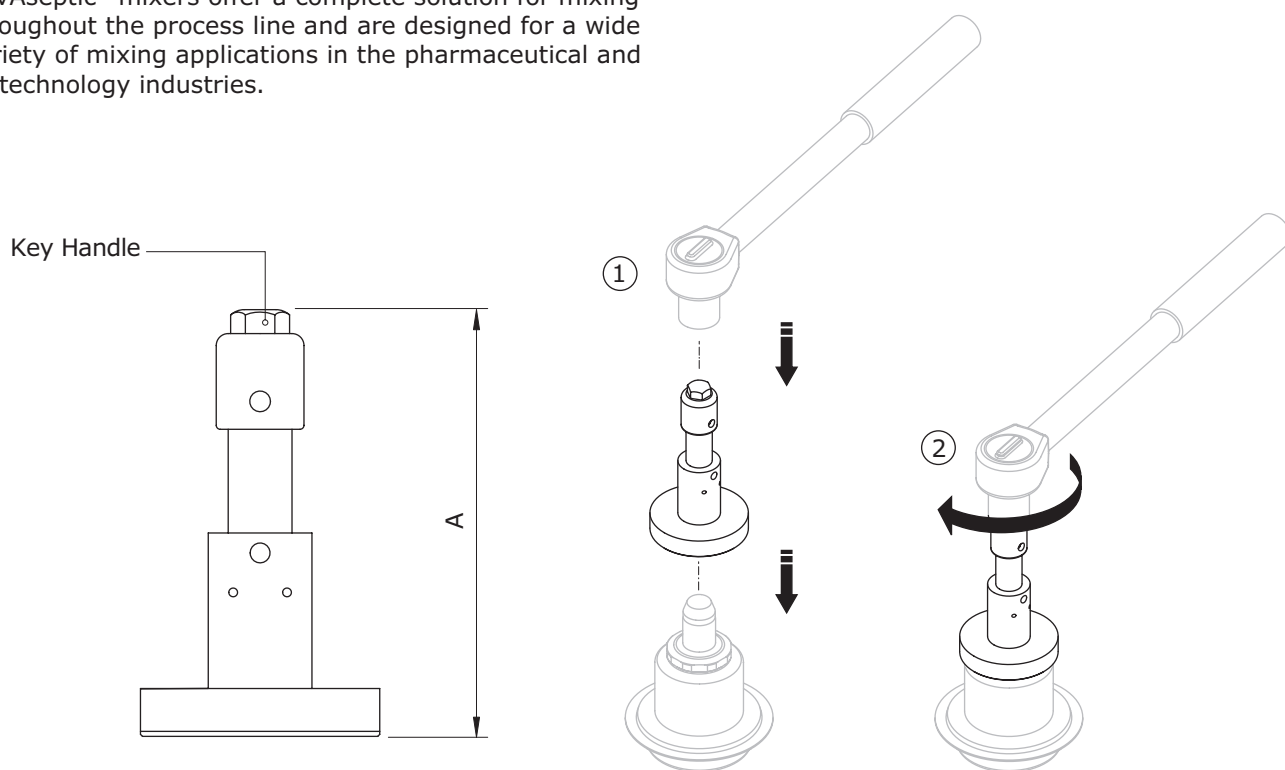


# NovAseptic® Mixer Tightening Tool for male bearing, GMP, GMP ATEX and USM

## Product Description

NovAseptic® mixers offer a complete solution for mixing throughout the process line and are designed for a wide variety of mixing applications in the pharmaceutical and biotechnology industries.



## Nominal Dimensions in mm (in.)

GT##/26	For Mixer	A	Key Handle
GT12/26	GMP50, GMP100, USM T10 GMP50 ATEX, GMP100 ATEX	81 (3.19)	13 (0.51)
GT20/26	GMP500, GMP1000, GMP2000, USM T60 GMP500 ATEX, GMP1000 ATEX, GMP2000 ATEX	91 (3.58)	13 (0.51)
GT30/26	GMP5000, GMP10000, GMP20000, GMP30000, USM T260 GMP5000 ATEX, GMP10000 ATEX, GMP20000 ATEX	125 (4.92)	13 (0.51)

## Specifications

Net Weight (approximate)			
Tightening Tool	GT12/26	GT20/26	GT30/26
Weight kg (lb)	0.1 (0.22)	0.1 (0.22)	0.3 (0.66)

Material		
	Body	Key Handle
Material Code	Aluminium	Stainless Steel

Additional Information	
Surface Treatment	Anodized aluminium, not on key handle.
Torque Wrench	A torque wrench is not included but can be supplied, order Catalogue No. GT/24-5.
Packaging	The Tightening Tool is packaged in a closed box.
Quality Control	Our Quality Assurance System guarantees the control and traceability at all stages of the manufacturing.

## Technical Assistance

For more information, please visit [SigmaAldrich.com](http://SigmaAldrich.com)  
for up-to-date worldwide contact information

