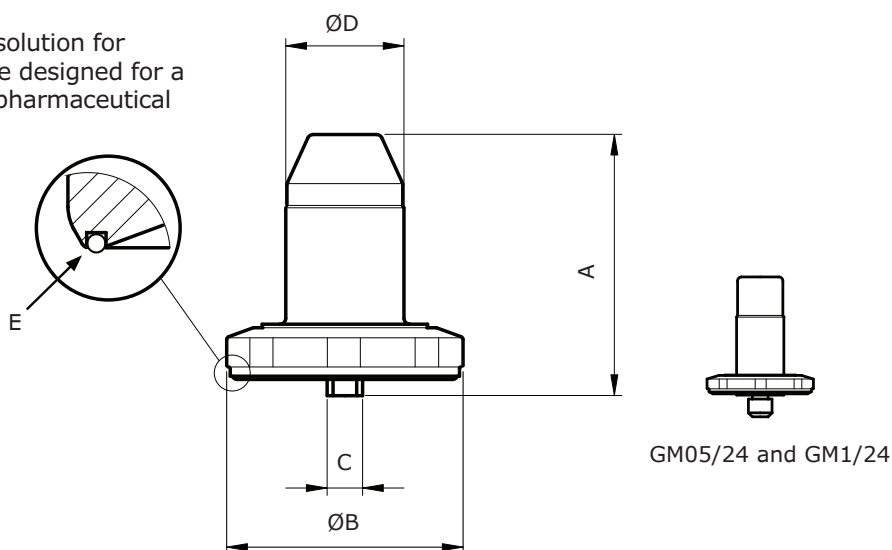


Specification Sheet

# NovAseptic® Mixer, Male Bearing, GMP

## Product Description

The NovAseptic® mixers offer a complete solution for mixing throughout the process line and are designed for a wide variety of mixing applications in the pharmaceutical and biotechnology industries.



## Catalogue Number Structure



## Nominal Dimensions in mm (in.)

Catalogue No.	A	B	C	D	O-Ring E	Compatible Mixer
GM05/24	35 (1.38)	26 (1.02)	M6	12 (0.47)	21.95x1.78 (0.864x0.070)	GMP50
GM05/24EP	35 (1.38)	26 (1.02)	M6	12 (0.47)	21.95x1.78 (0.864x0.070)	GMP50
GM1/24	35 (1.38)	26 (1.02)	M6	12 (0.47)	21.95x1.78 (0.864x0.070)	GMP100
GM1/24EP	35 (1.38)	26 (1.02)	M6	12 (0.47)	21.95x1.78 (0.864x0.070)	GMP100
GM510/24	45 (1.77)	39 (1.54)	M6	20 (0.79)	34.65x1.78 (1.364x0.070)	GMP500 & GMP1000
GM510/24EP	45 (1.77)	39 (1.54)	M6	20 (0.79)	34.65x1.78 (1.364x0.070)	GMP500 & GMP1000

## Nominal Dimensions in mm (in.)

Catalogue No.	A	B	C	D	O-Ring E	Compatible Mixer
GM20/24	48 (1.89)	39 (1.54)	M10	20 (0.79)	34.65x1.78 (1.364x0.070)	GMP2000
GM20/24EP	48 (1.89)	39 (1.54)	M10	20 (0.79)	34.65x1.78 (1.364x0.070)	GMP2000
GM50300/24	80 (3.15)	51.5 (2.03)	M12	30 (1.18)	47.35x1.78 (1.864x0.070)	GMP5000, GMP 10000, GMP 20000 & GMP 30000
GM50300/24EP	80 (3.15)	51.5 (2.03)	M12	30 (1.18)	47.35x1.78 (1.864x0.070)	GMP5000, GMP 10000, GMP 20000 & GMP 30000

## Specifications

Net Weight (approximate)					
Male Bearing	GM05/24	GM1/24	GM510/24	GM20/24	GM50300/24
Weight kg (lb)	0.03 (0.066)	0.03 (0.066)	0.1 (0.22)	0.1 (0.22)	0.3 (0.66)

Material				
	Bar		Male Bearing	O-Ring
	Stainless steel in compliance with			
Material Code	AISI 316L	EN 1.4435	Ceramic SiC (SsiC)	EPDM

Spare part				
Male Bearing	GM05/24 & GM1/24		GM510/24 & GM20/24	GM50300/24
O- ring (EPDM)	GM051/220		GM520/220	GM100300/220

Spare Part (alternative O-ring material)				
Male Bearing	GM05/24 & GM1/24		GM510/24 & GM20/24	GM50300/24
O- ring (Silicone)	GM051/221		GM520/221	GM100300/221
O- ring (FEP coated silicone)	GM051/221T		GM520/221T	GM100300/221T

Specifications	
Surface Roughness	Surface Ra ≤ 0.38 µm (15 µin)
Surface Treatment	Manually polished or Manually polished and Electro polished. No polishing compounds of animal origin used.
Operating Temperature*	5 to 135 °C (41 to 275 °F)
pH Range	1-14
Labeling	Each Male Bearing is individually labeled for full traceability according to our QA procedures.
Packaging	The Male Bearing is packaged in a closed box.
Quality Control	Our Quality Assurance system ensure the quality and traceability at all stages of the process.
Regulatory	All O-rings are in compliance with FDA regulations §177.2600 and USP Biological Tests for Plastics, Class VI. Supplied with statement
Options	For non-standard NovAseptic® Mixer Options, please contact your local representative for information.

\* Note: The assembled NovAseptic® Mixer may have different design temperature and/or pressure limits. The weakest part in the assembled product determines the maximum design temperature and pressure limits.

## Technical Assistance

For more information, please visit [SigmaAldrich.com](https://www.SigmaAldrich.com) for up-to-date worldwide contact information

