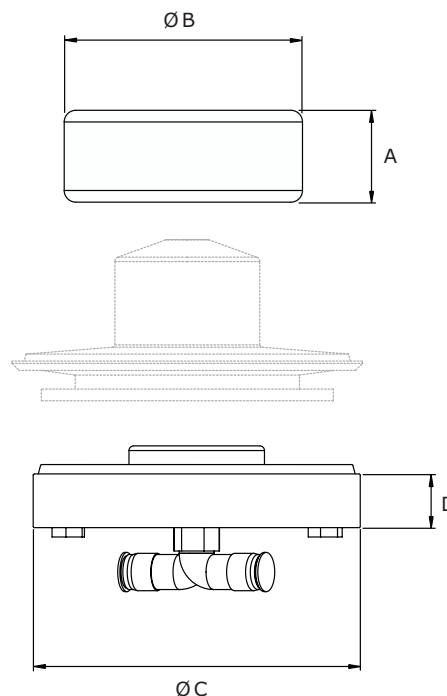
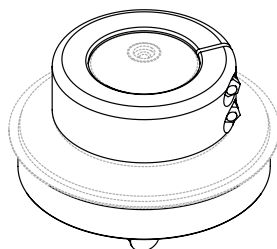


NovAseptic® mixer, heatsink tankplate, GMP, GMP ATEX, HS, HS ATEX and USM

Product Description

The NovAseptic® mixers offer a complete solution for mixing throughout the process line and are designed for a wide variety of mixing applications in the pharmaceutical and biotechnology industries.



Nominal Dimensions in mm (in.)

Catalogue No.	A	B	C	D	Tank Plate GMP	Tank Plate GMP ATEX	Tank Plate HS, HS ATEX, USM	Compatible Mixer
G94-001	39 (1.54)	85 (3.35)	—	—	GM1/33 GM5/33	AX1/33 AX5/33	G30-009 AX30-009	GMP100, GMP100 ATEX, GMP500, GMP500 ATEX, HS T60 & HS T60 ATEX, USM T60
G94-002	40 (1.57)	102 (4.02)	140 (5.51)	23 (0.91)	GM10/33	AX10/33	—	GMP1000 & GMP1000 ATEX
G94-003	40 (1.57)	125 (4.92)	140 (5.51)	25 (0.98)	GM20/33	AX20/33	—	GMP2000 & GMP2000 ATEX
G94-004	50 (1.97)	148 (5.83)	146 (5.75)	24 (0.94)	GM50/33	AX50/33	G30-011 AX30-011	GMP5000, GMP5000 ATEX, HS T260, HS T260 ATEX & USM T260
G94-005	66 (2.60)	135 (5.31)	138 (5.43)	24 (0.94)	GM100/33	AX100/33	—	GMP10000 & GMP10000 ATEX
G94-006	44 (1.73)	229 (9.02)	224 (8.82)	29 (1.1)	GM200/33	AX200/33	—	GMP20000 & GMP20000 ATEX
G94-007	64 (2.52)	229 (9.02)	224 (8.82)	29 (1.1)	GM300/33	—	—	GMP30000

Specifications

Net Weight (approximate)							
Heatsink Tank Plate	G94-001	G94-002	G94-003	G94-004	G94-005	G94-006	G94-007
Weight kg (lb)	0.3 (0.66)	1.2 (2.65)	1.6 (3.53)	2.1 (4.63)	2.2 (4.85)	5.5 (12.1)	7 (15.4)

Material	
Body	Aluminium

Additional Information	
Packaging	The Heatsink Tank Plate is packaged in a closed box.
Quality Control	Our Quality Assurance System guarantees the control and traceability at all stages of the process.

Technical Assistance

For more information, please visit [SigmaAldrich.com](https://www.sigmaaldrich.com)
for up-to-date worldwide contact information

