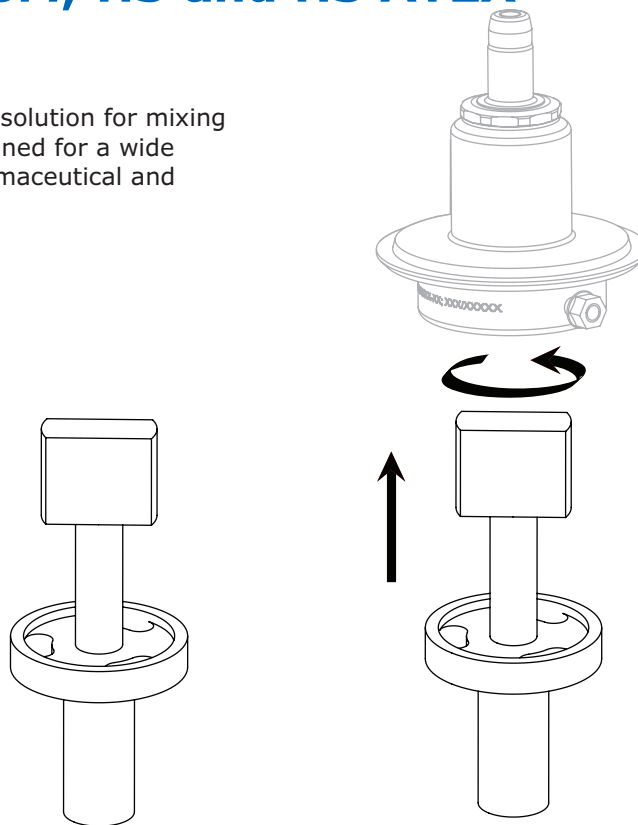


Specification Sheet

NovAseptic® mixer, NovAseptic® gauge 1, for tank plate, outer drive head control, GMP, GMP ATEX, USM, HS and HS ATEX

Product Description

The NovAseptic® mixers offer a complete solution for mixing throughout the process line and are designed for a wide variety of mixing applications in the pharmaceutical and biotechnology industries.



Ordering Information

Catalog No.	Compatible Mixer Model
G91-001	GMP50, GMP50 ATEX, USM T10, HST10 & HST10 ATEX
G91-002	GMP100, GMP500 & GMP100 ATEX, GMP500 ATEX
G91-003	GMP1000 & GMP1000 ATEX
G91-004	GMP2000 & GMP2000 ATEX
G91-005	GMP5000 & GMP5000 ATEX
G91-006	GMP10000 & GMP10000 ATEX
G91-007	GMP20000 & GMP20000 ATEX
G91-008	GMP30000
G91-010	HST60 & HST60 ATEX & USM T60
G91-011	HST260 & HST260 ATEX & USM T260

Specifications

Net Weight (approximate)										
NovAseptic® Gauge 1	G91-001	G91-002	G91-003	G91-004	G91-005	G91-006	G91-007	G91-008	G91-010	G91-011
Weight kg (lb)	0.3 (0.66)	0.4 (0.88)	0.4 (0.88)	0.6 (1.3)	1.0 (2.2)	0.7 (1.5)	2.3 (5.07)	2.7 (5.9)	0.4 (0.88)	1.1 (2.4)

Material	
Body	Aluminium

Additional Information	
Packaging	The NovAseptic® Gauge 1 is packaged in a closed box. Tools are not included with the Tank Plate. These must be purchased separately.
Quality Control	Our Quality Assurance system ensures the quality at all stages of the process.

Technical Assistance

For more information, please visit [SigmaAldrich.com](https://www.SigmaAldrich.com) for up-to-date worldwide contact information

