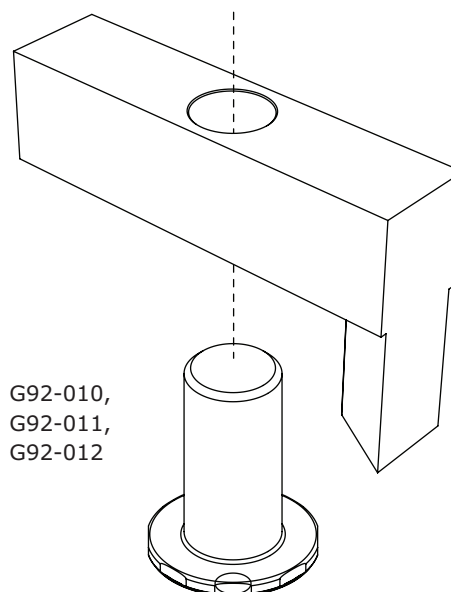
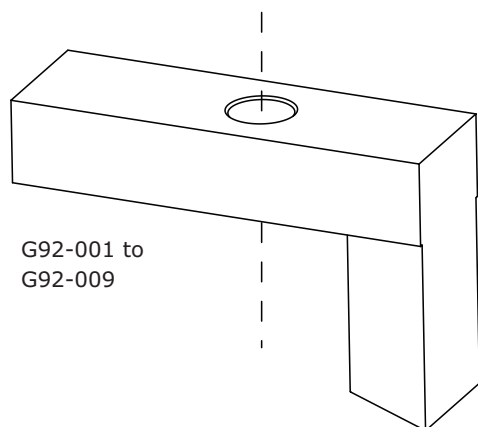


Specification Sheet

NovAseptic® mixer, NovAseptic® gauge 2, for tank plate, mixing head control, GMP, GMP ATEX, USM, HS and HS ATEX

Product Description

The NovAseptic® mixers offer a complete solution for mixing throughout the process line and are designed for a wide variety of mixing applications in the pharmaceutical and biotechnology industries.



Ordering Information

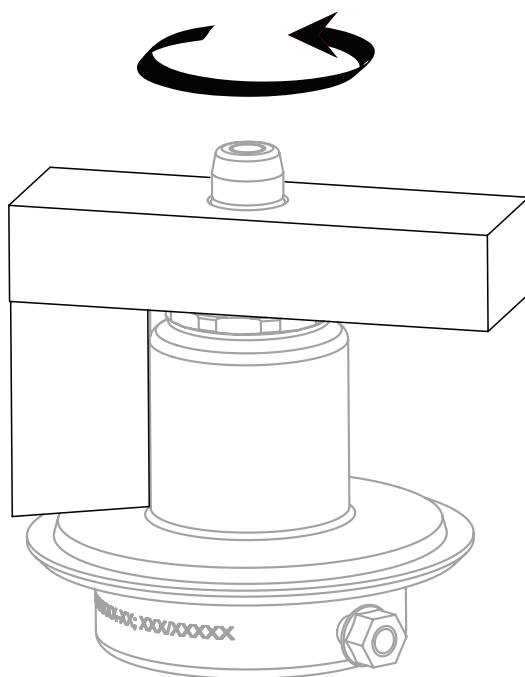
Catalog No.	Compatible Mixer Model
G92-001	GMP50 & GMP50 ATEX & USM T10
G92-002	GMP100 & GMP100 ATEX
G92-003	GMP500 & GMP500 ATEX & USM T60
G92-004	GMP1000 & GMP1000 ATEX
G92-005	GMP2000 & GMP2000 ATEX
G92-006	GMP5000 & GMP5000 ATEX & USM T260
G92-007	GMP10000 & GMP10000 ATEX
G92-008	GMP20000 & GMP20000 ATEX
G92-009	GMP30000
G92-010	HST10 & HST10 ATEX
G92-011	HST60 & HST60 ATEX
G92-012	HST260 & HST260 ATEX

Specifications

Net Weight (approximate)												
NovAseptic® Gauge	G92-001	G92-002	G92-003	G92-004	G92-005	G92-006	G92-007	G92-008	G92-009	G92-010	G92-011	G92-012
Weight kg (lb)	0.1 (0.22)	0.1 (0.22)	0.2 (0.44)	0.2 (0.44)	0.1 (0.22)	0.8 (1.8)	0.8 (1.8)	1.1 (2.4)	1.2 (2.6)	0.3 (0.66)	0.4 (0.9)	1.3 (2.8)

Material	
Body	Aluminium

Additional Information	
Packaging	The NovAseptic® Gauge is packaged in a closed box.
Quality Control	Our Quality Assurance system ensures the quality at all stages of the process.
NovAseptic® Gauge	Male bearing is not included for G92-001 to G92-009. A tool male bearing is included with items G92-010 to G92-012. Tools are not included with the tank plate. These must be purchased separately.



Technical Assistance

For more information, please visit [SigmaAldrich.com](https://www.SigmaAldrich.com) for up-to-date worldwide contact information

