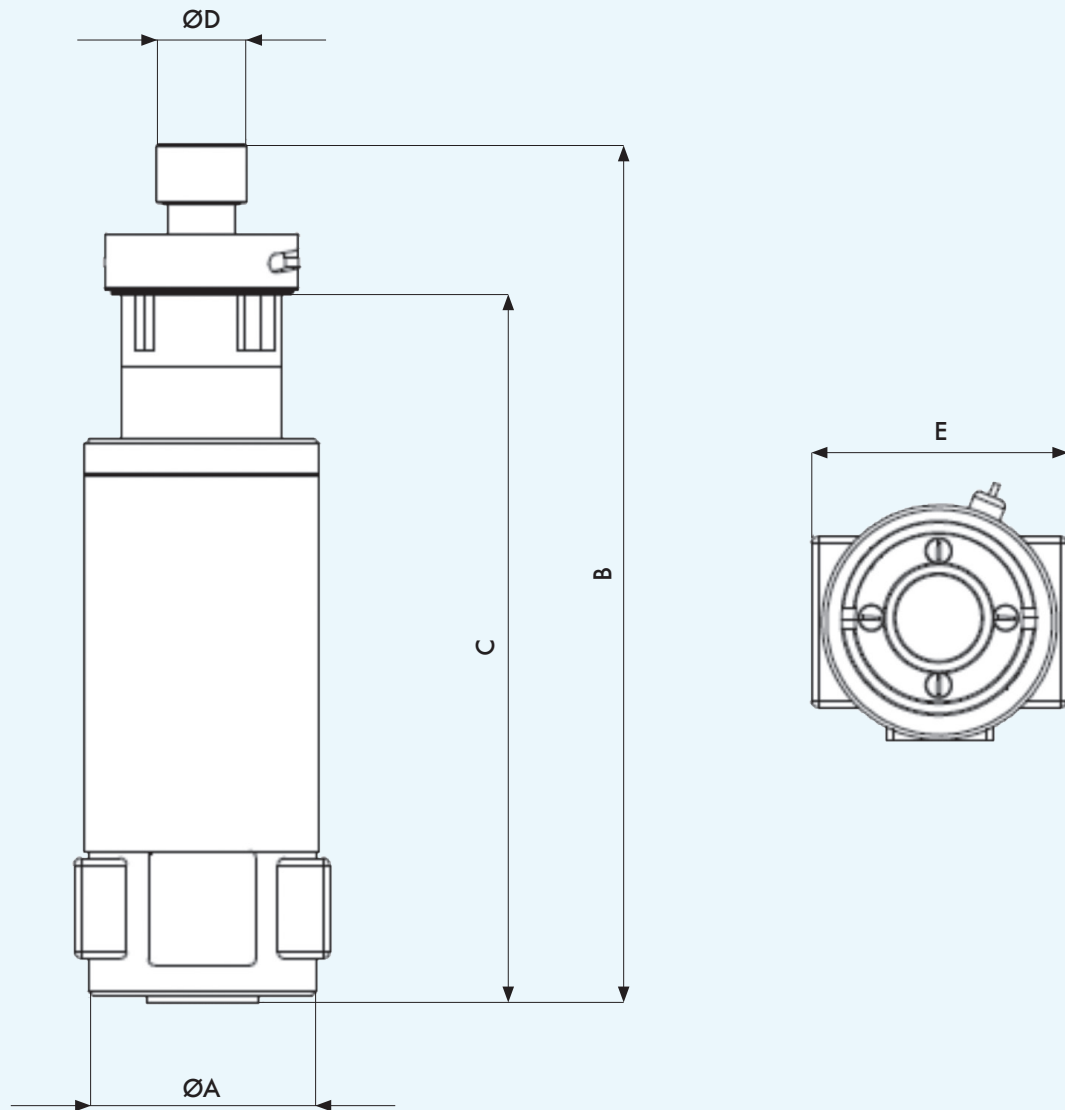


Specification Sheet

NovAseptic® Mixer Drive Unit DC, GMP

Catalogue Number GM##/42



Nominal Dimensions in mm (in.)

PA##	A	B	C	D*	E	F
GM05/42	68 (2,68)	256,2 (10,09)	211.2 (8,32)	26.5 (1.044)	76 (3)	GMP50

*Note: Non-standard thread, Actuator specific.

Specifications

Net Weight (approximate)		General Motor Data	
Mixer Size	GM05/42	Voltage	24V DC
Weight kg (lb)	3.2 (7.05)	Degree of Protection	IP 54
		Insulating Class	F

Drive Unit Specifications

	Motor type Engel	Gear ratio	Max Effect (W)	Max current (A*)	Outer Driving Head Torque (Nm)	Design Speed** (rpm)
GN05/42	GNM 4175	6:1	140	7,5	1	50-490

*Note: Approx. for more accurate figures contact Millipore. **Note: Design Speed is the mechanical limit.

Specifications

Environment Temperature	0 to 40 °C (32 to 104 °F)
Design Pressure	Atmospheric pressure
Operating Speed	Maximum operating speed has to be validated for each process individually, depending on volume, viscosity, etc.
Note	The assembled NovAseptic Mixer may have different design temperature and/or pressure limits. The weakest component in the assembled product determines the maximum design temperature and pressure limits.
Labeling	Each Drive Unit is individually labeled for full traceability according to Millipore QA routines.
Packaging	The Actuator is packaged in a closed box.
Quality Control	Millipore Quality Assurance System guarantees the control and traceability of the product.
Options	For non-standard NovAseptic Mixer options, please contact Millipore for further information.

For additional information call your nearest Millipore office:

In the U.S. and Canada, call toll-free
1-800-MILLIPORE (1-800-645-5476)

In the U.S., Canada and Puerto Rico, fax orders to
1-800-MILLIFX (1-800-645-5439)

ADVANCING LIFE SCIENCE TOGETHER®
Research. Development. Production.



Millipore, NovAseptic and Advancing Life Science Together are trademarks of Millipore Corporation. The M mark is a trademark of Millipore Corporation. Specifications are subject to change without notice.

Lit No. SP2423EN00 Rev. B 10/2010

© 2010 Millipore Corporation. All Rights Reserved.