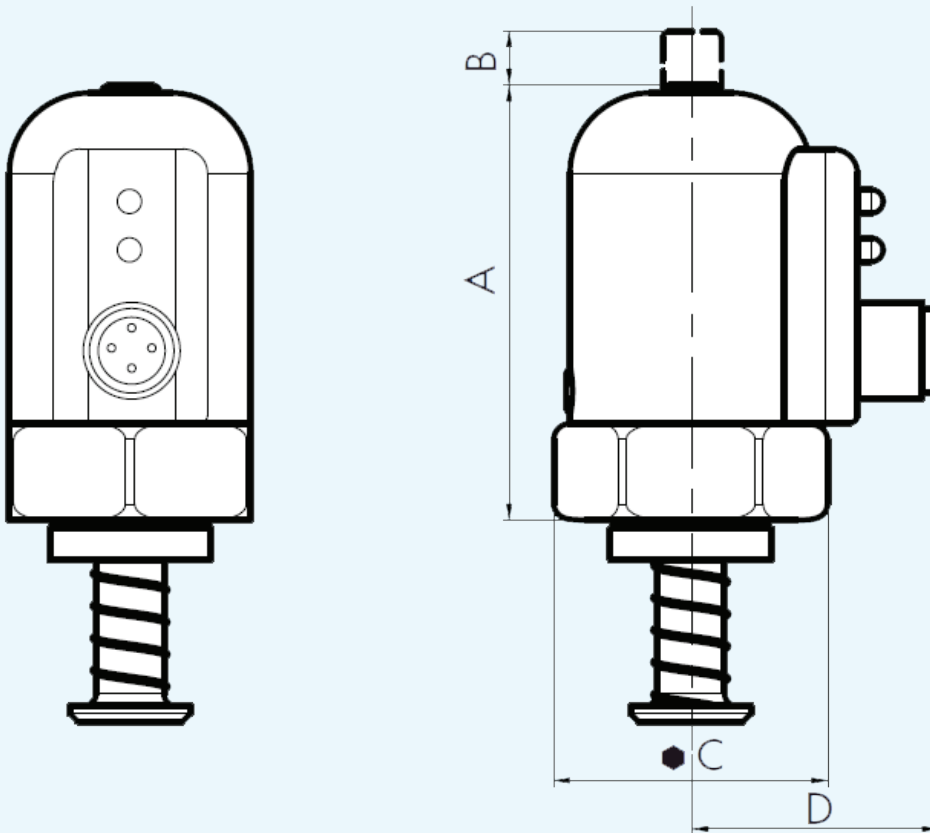


# NovAseptic® Valve Inductive Position Indicator Unit

Catalogue Number PA1251/SP Single Position

Inductive Position Indicator Unit



## Nominal Dimensions in mm (in.)

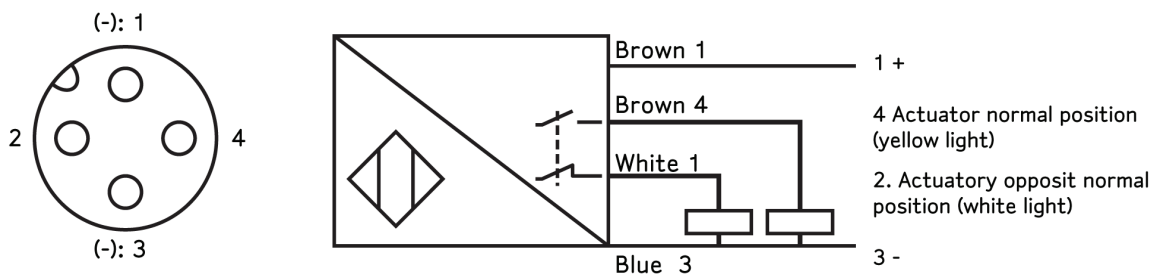
PA##	A	B	C	D	PA ##/100	PA ##/110	PA ##/111
PA1251/SP	53.0 (2.087)	5.0 (0.197)	30.0 (1.181)	30.9 (1.217)	PA12/100	PA12/110	PA12/111
PA1251/SP	53.0 (2.087)	5.0 (0.197)	30.0 (1.181)	30.9 (1.217)	PA18/100	PA18/110	PA18/111
PA1251/SP	53.0 (2.087)	5.0 (0.197)	30.0 (1.181)	30.9 (1.217)	PA25/100	PA25/110	PA25/111
PA1251/SP	53.0 (2.087)	5.0 (0.197)	30.0 (1.181)	30.9 (1.217)	PA38/100	PA38/110	PA38/111
PA1251/SP	53.0 (2.087)	5.0 (0.197)	30.0 (1.181)	30.9 (1.217)	PA51/100	PA51/110	PA51/111

## Net Weight (approximate)

Indicator	PA1251/SP
Weight kg (lb)	0.06 (0.13)

Material	Body	Indicator
	plastic in compliance with	plastic in compliance with
Material Code	POM C	

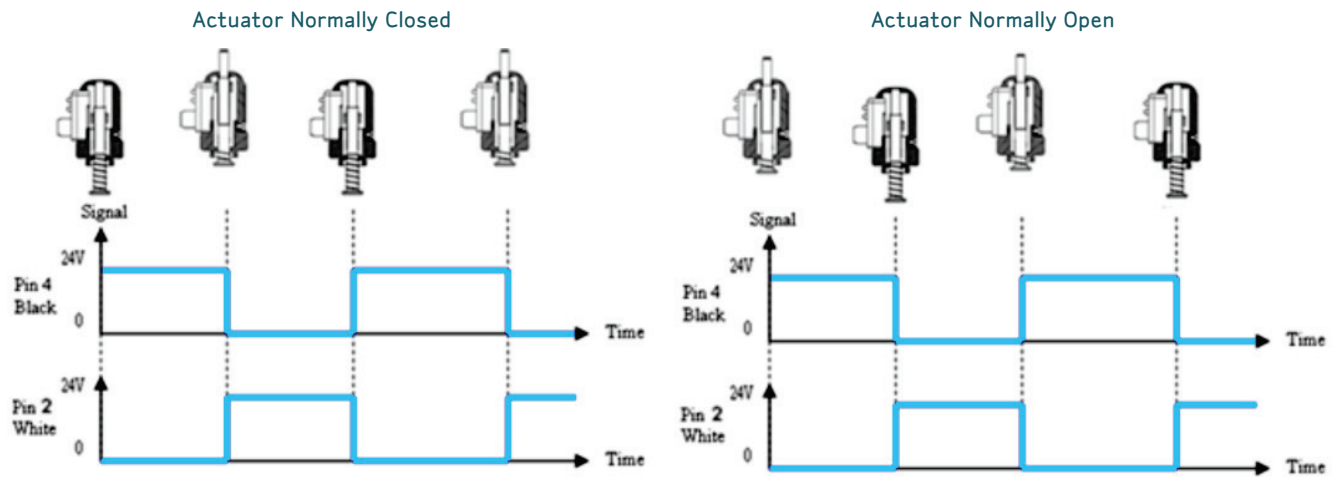
## Socket Connection: M12x1



Power Supply	24V DC
Power Limits	10-30V DC
Output Current	Max 100Ma in open or closed position, overload and short circuit protection
No Load Current Consumption	<15mA
Degree of Protection	IP65

## Example

Signal output as a function of the position of a normal open or normal closed pneumatic actuator when mounted according to the mounting instructions.



## Specifications

Surface Roughness	Smooth
Environment Temperature	0 to 40 °C (32 to 104 °F) Under limited time 70 °C (158 °F)
Labeling	Each Indicator is labeled.
Packaging	The Indicator is packaged in a plastic bag.
Quality Control	Millipore Quality Assurance System guarantees the control and traceability of the product.

## FOR ADDITIONAL INFORMATION CALL YOUR NEAREST MILLIPORE OFFICE:

In the U.S. and Canada, call toll-free  
**1-800-MILLIPORE (1-800-645-5476)**

In the U.S., Canada and Puerto Rico, fax orders to  
**1-800-MILLIFX (1-800-645-5439)**

ADVANCING LIFE SCIENCE TOGETHER®  
Research. Development. Production.



Millipore, NovAseptic and Advancing Life Science Together are registered trademarks of Millipore Corporation. The M mark is a trademark of Millipore Corporation.

Lit. No. SP1202EN00 Rev. A 8/10

©2010 Millipore Corporation, Billerica MA, 01821 USA. All rights reserved.